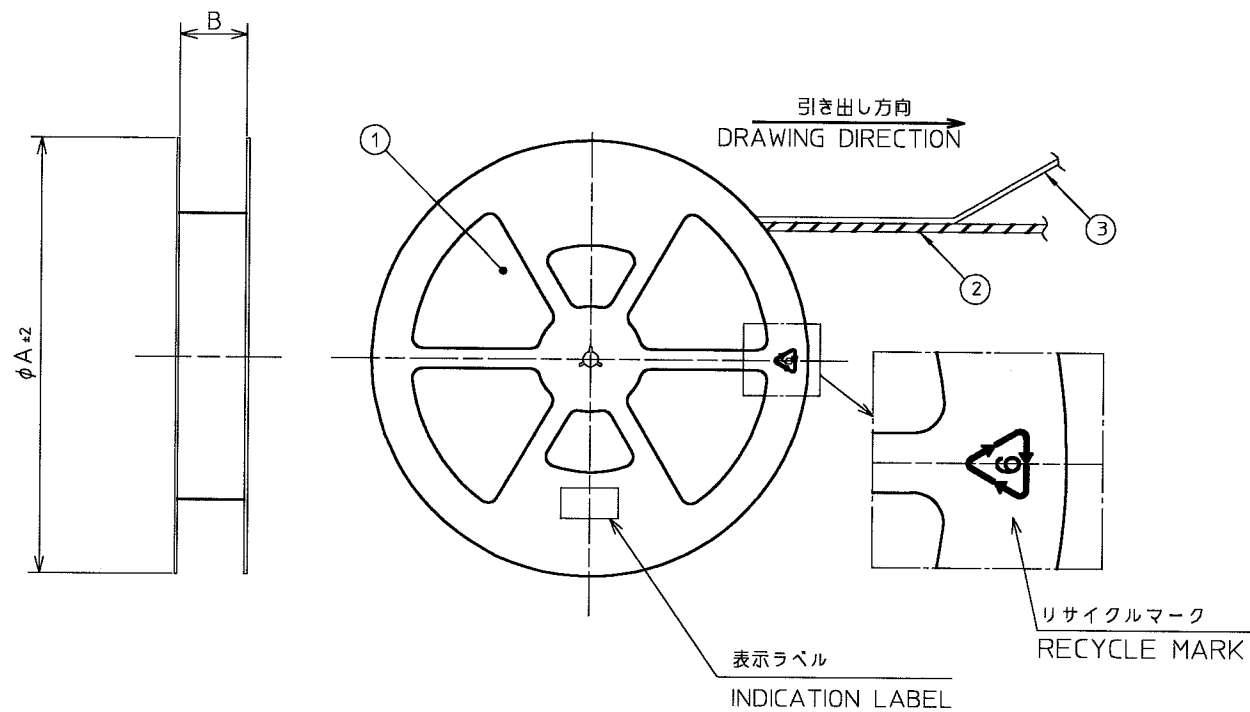


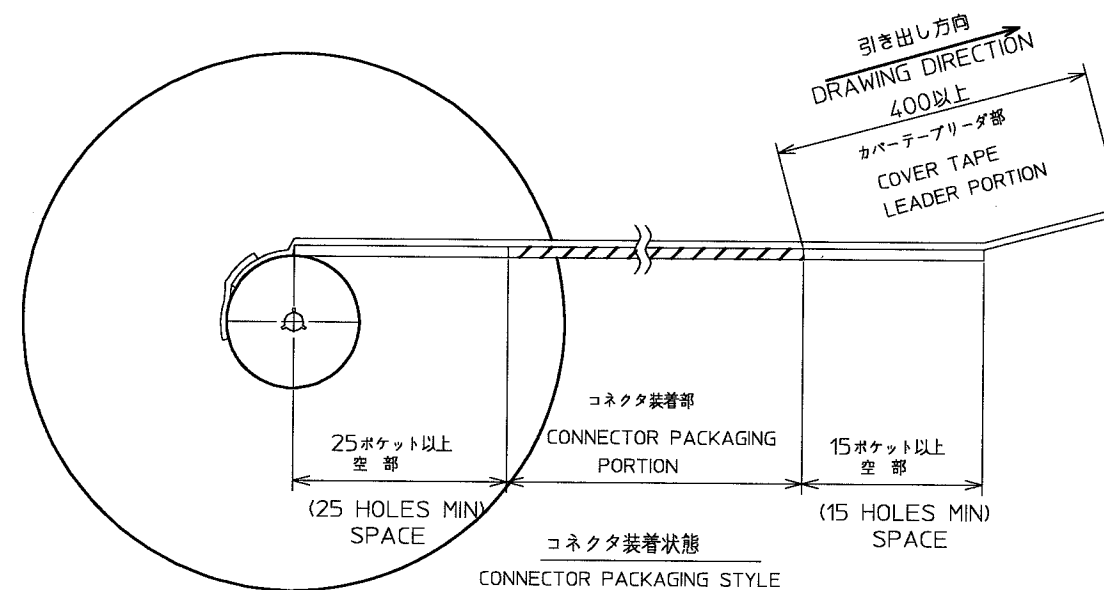
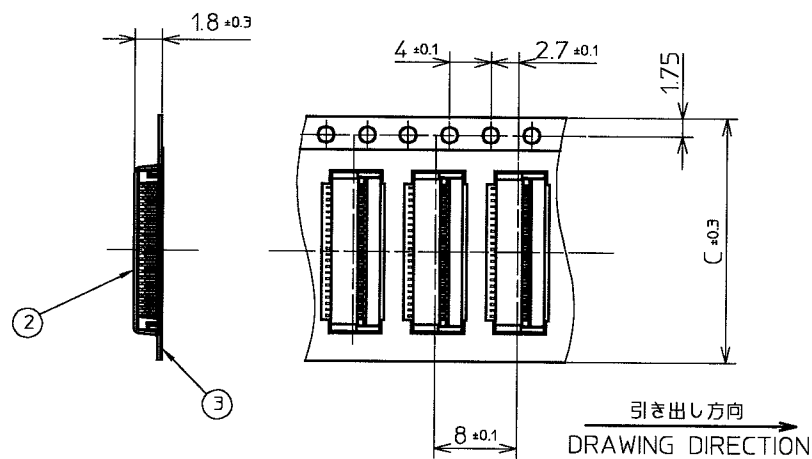
PRODUCT NO.
10017251-__2240ELF

REVISIONS				
REV	DESCRIPTION	ECN	BY	DATE
A	RELEASED	J03-0220	K.O	22/May/03
B	REVISED	J03-0300	K.O	11/JUL/03
C	REVISED	J03-0452	K.O	14/Nov/03
E	REVISED	J04-0041	M.Y	15/Jan/04
F	REVISED	J04-0336	M.Y	27/Sep/04
G	REVISED	J04-0473	M.Y	05/Jan/05
H	REVISED	J04-0447	M.Y	20/Jan/05
J	REVISED	J05-0345	M.Y	10/Jun/05
K	REVISED	J05-0783	M.Y	16/Nov/05



エンボステープ梱包型番 EMBOSS TAPE	寸法 DIMENSIONS		
	ϕA	B	C
10017251-152240ELF~452240ELF	$\phi 330$	25.5 ± 1	24
10017251-112240ELF	$\phi 330$	17.5 ± 1	16

PT.NO.	PARTS NAME	PRODUCT NO.	MATERIAL	Q'TY
1	REEL	_____	POLYSTYRENE	1
2	EMBOSS TAPE	_____	PET	1
3	COVER TAPE	_____	POLYESTER	_____
4	CONNECTOR	10017251-__224LF	10017251 SHEET2	4500



注記
1.本製品は、自動実装(SMT)対応、FPC用コネクタのプラスチックテープ梱包品である。
2.プラスチック(エンボス)テープ及びリールの形状寸法は、JIS C 0806 (電子部品のテーピング(表面実装部品))に準ずる。

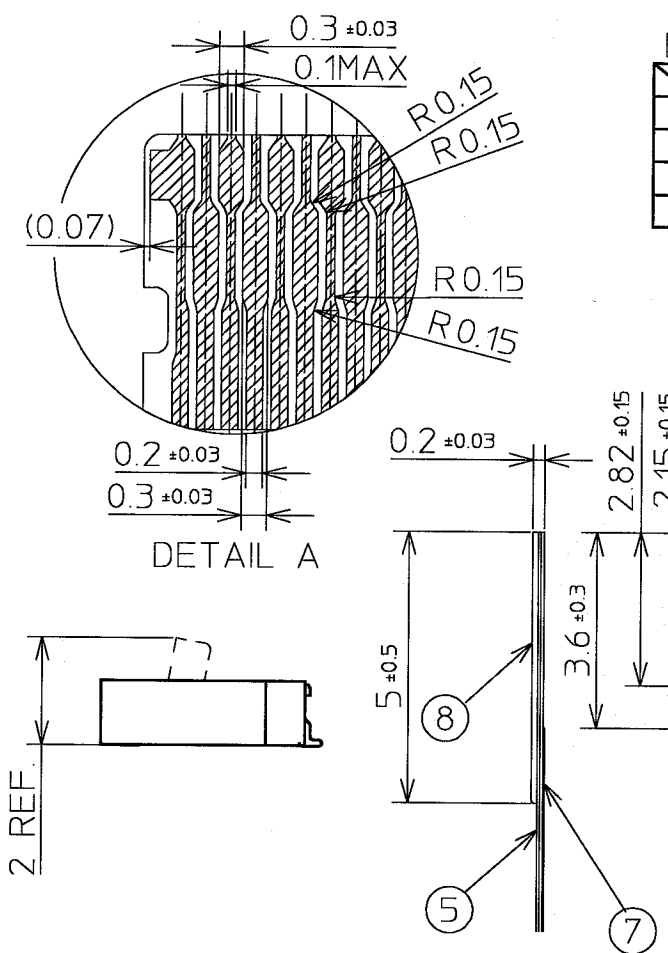
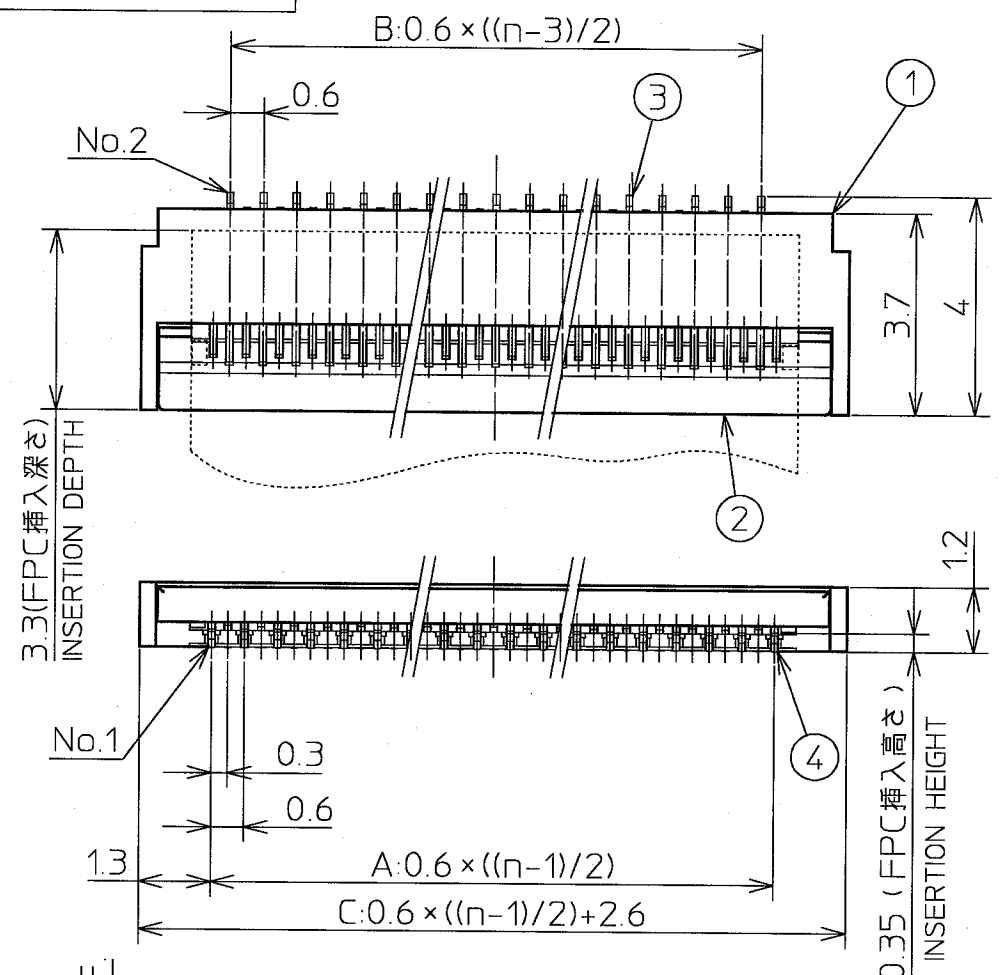
NOTES
1.THIS IS PLASTIC TAPE PACKAGED CONNECTOR USED FOR FPC AND COPES WITH AUTOMATIC MOUNTING (SMT)
2.SEE JIS 0806 (PACKING OF ELECTRONIC COMPONENTS ON CONTINUOUS TAPES (SURFACE MOUNTING DEVICES))

SHEET INDEX	ISSUE	K	F											FCI			
	SH NO.	1	2														
TOLERANCES UNLESS OTHERWISE SPECIFIED				MAT	DR	DATE	CUSTOMER COPY	TITLE									
				SEE NOTE	M.Yamashita	16/Nov/05		エンボステープ梱包品 EMBOSS TAPE PACKAGE									
LINEAR				FINISH	ENGR	16/Nov/05	THIRD ANGLE PROJ.	PRODUCT FAMILY									
				—#—	M.Yamashita			58FF FLEX 0.3									
ANGLES					CHK	16/Nov/05	UNIT	SCALE SIZE DWG. NO. REV SHEET									
					APPD	11/16/05	MM	C 10017251 K 1 of									

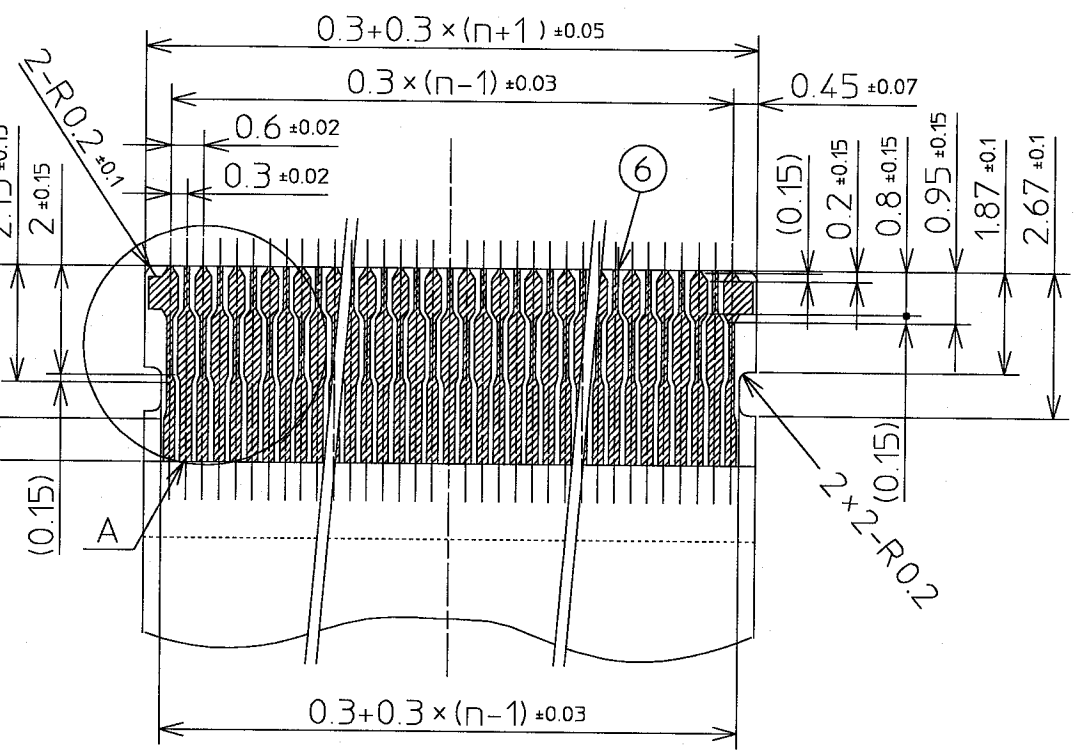
DF-003A REV E
DO NOT SCALE PRINT THIS INFORMATION IS CONFIDENTIAL AND IS DISCLOSED TO YOU ON CONDITION THAN NO FURTHER DISCLOSURE IS MADE BY YOU TO OTHER THAN FCI PERSONNEL WITHOUT WRITTEN AUTHORIZATION FROM FCI JAPAN K.K.

PRODUCT NO.
10017251-__224LF

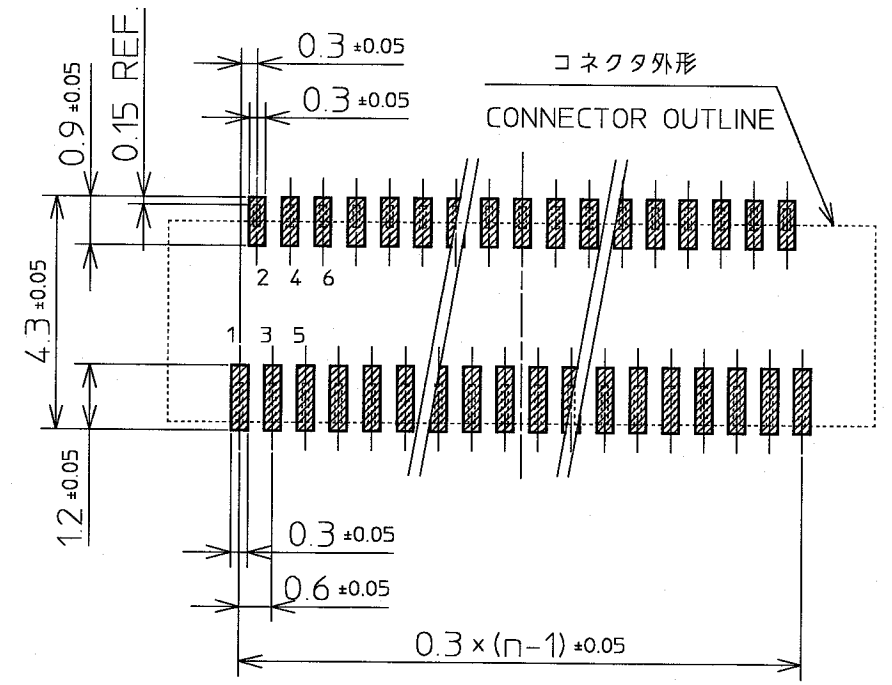
REVISIONS				
REV	DESCRIPTION	ECN	BY	DATE
A	RELEASED	J03-0220	K.O	22/May/03
B	REVISED	J03-0300	K.O	11/Jul/03
C	REVISED	J03-0452	K.O	14/Nov/03
E	REVISED	J04-0041	M.Y	15/Jan/04
F	REVISED	J05-0345	M.Y	10/Jun/05



FPC	
PARTS NAME	MATERIAL
5	BASE FILM POLYAMIDE
6	CONDUCTOR COPPER FOIL
7	OVERLAY POLYAMIDE
8	STIFFENER POLYAMIDE



推奨導体寸法(FPC)
RECOMMENDED CONDUCTOR DIMENSION



推奨基板パターン寸法
RECOMMENDED P.C.BOARD LAYOUT

CONNECTOR				
PARTS NAME	MATERIAL	QTY	DESCRIPTION	
1	HOUSING	1	THERMOPLASTIC COLOR:WHITE	
2	ACTUATOR	1	THERMOPLASTIC COLOR:BLACK	
3	CONTACT A	(n-1)/2	COPPER ALLOY	
4	CONTACT B	(n+1)/2	COPPER ALLOY	

PRODUCT No.	NO. OF CONTACT	A	B	C
10017251-11224LF	11	3.0	2.4	5.6
10017251-15224LF	15	4.2	3.6	6.8
10017251-19224LF	19	5.4	4.8	8.0
10017251-23224LF	23	6.6	6.0	9.2
10017251-25224LF	25	7.2	6.6	9.8
10017251-27224LF	27	7.8	7.2	10.4
10017251-31224LF	31	9.0	8.4	11.6
10017251-39224LF	39	11.4	10.8	14.0
10017251-45224LF	45	13.2	12.6	15.8

NOTE.
1.FPCの補強板接着には、熱硬化接着剤を使用し、接着方式は熱圧着とする。
Adhesive method of supporting tape shall be heat crimping method and thermosetting adhesive material shall be used.
2.本製品は、GS-22-008に記載されたヨーロッパ連合指令と他国の規制に適合しています。
This product meets European Union Directives and other country regulations as described in GS-22-008.
3.メッキ仕様 Finish

SURFACE TREATMENT	
10017251-__224LF	GOLD OVER NICKEL PLATE



SHEET INDEX	ISSUE											TITLE 0.3mm PITCH CONNECTOR (UPPER TYPE)	
LINEAR	SH NO.											PRODUCT FAMILY 58FF FLEX 0.3	
TOLERANCES UNLESS OTHERWISE SPECIFIED ±0.3		MAT SEE NOTE		DR M.YAMASHITA		DATE 10/Jun/05		CUSTOMER COPY		SCALE B		DWG. NO. 10017251	
FINISH		ENGR M.YAMASHITA		CHK m.foga		DATE 10/Jun/05		THIRD ANGLE PROJ		REV F		SHEET 20F	
ANGLES ±1°		APPD H. Takahashi		DATE 6/10/05		UNIT MM							

DO NOT SCALE PRINT THIS INFORMATION IS CONFIDENTIAL AND IS DISCLOSED TO YOU ON CONDITION THAT NO FURTHER DISCLOSURE IS MADE BY YOU TO OTHER THAN FCI PERSONNEL WITHOUT WRITTEN AUTHORIZATION FROM FCI JAPAN K.K.